

# 12v Auto Water Pump VP50P

## Application

- The warm air conditioning cycle of vehicle
- Hydraulic torque converter cooling cycle of vehicle
- New energy vehicle cooling circulation
- Other water circulation

## Feature

- Dry-running protection.
- Locked-rotor protection
- FG signal output
- PWM/Manual speed control function [optional]
- Slipping protection



## Parameter

Parameter (only for reference, it can be customized)

Model	Voltage	Rated Current	Max flow	Max head	Power
	V	A	L/MIN	M	W
VP50P	12	1.8	25	4.5	22
	12	1.8	25	4.5	22
	12	1.8	25	4.5	22

Remarks: The parameters above are for reference only, the one based on the customer's endorsement demands shall prevail!

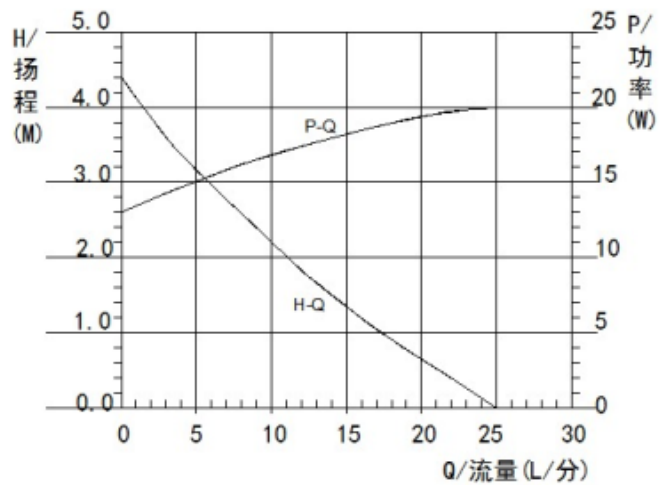
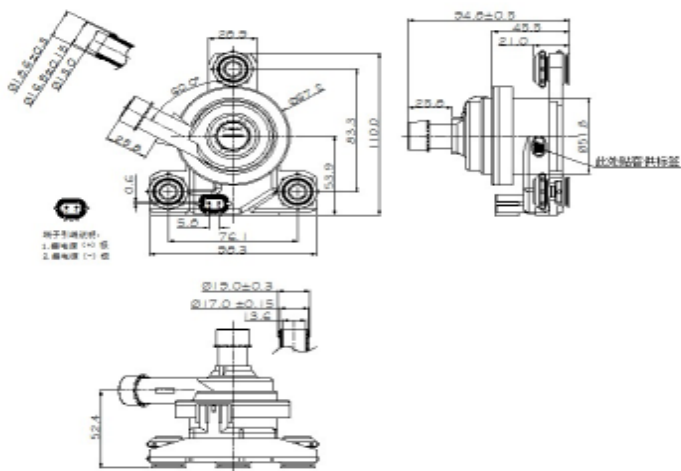
## Notice

- Operate the pump with no water in the pump chamber is not allowed
- Reversely connects the power polarity is not allowed.
- Filter measures should be taken when used the pump in a foul water environment.
- Operate the pump in the acid and alkali environment is not allowed.
- Ambient temperature and fluid temperature should be within the rated temperature.
- Only DC power is allowed to drive the pump

## Specification

### Specs

NO	Items	Specs
1	Sizes	90*111*52mm, weight 0.38kg
2	Dimension of inlet	17mm
3	Dimension of outlet	17mm
4	Pump material	PPS, Can be customized
5	Condition of use	Continuously
6	Fluids	Water, antifreeze
7	Ambient temperature	-40~125°C
8	Max fluid temperature	-40~125°C
9	Power consumption	22W
10	Rated voltage	12Vdc
11	Voltage used	6~14Vdc
12	Noise	<40dB
13	Water proof class	IP67
14	Life span	More than 20000hrs
15	Power supply	DC electric source; battery



## Dimension

## Head-Flow curve graph