

Automotive Electric Water Pump for Bus VP90C

Application

- Pure electric buses motor control system hot water circulation
- 12M pure electric bus and hybrid bus motor control cooling cycle
- Engine cooling water circulation.
- Intelligent toilet
- Intelligent bathtub

Parameter

Parameter (only for reference, it can be customized)

Model	Voltage	Rated Current	Max flow	Max head	Power
	V	A	L/MIN	M	W
VP90C	24	8	150	9	200
	24	8	150	9	200
	24	10	180	9	240

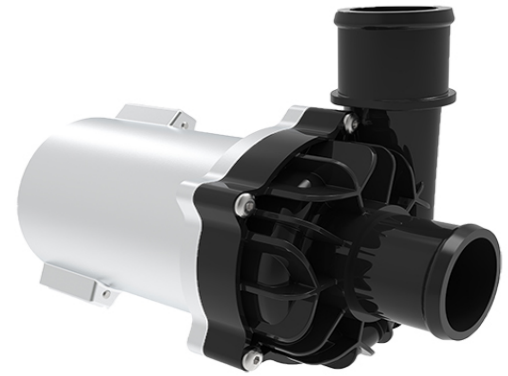
Remarks: The parameters above are for reference only, the one based on the customer's endorsement demands shall prevail!

Notice

- Runs in the condition of the pump chamber without liquid is not allowed.
- Reversely connects the power polarity is not allowed.
- Filter measures should be taken when used in foul water environment.
- Runs in the acid and alkali environment is not allowed.
- Ambient temperature and fluid temperature should be within the rated temperature.
- Only DC power can be used.

Feature

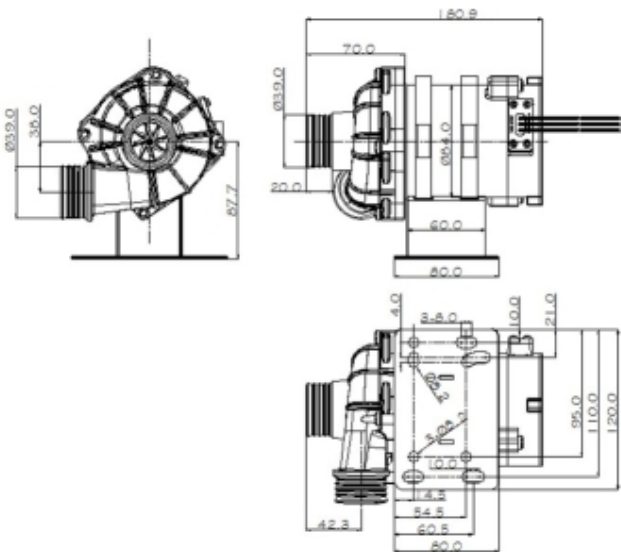
- Reverse voltage protection .
- Working status monitoring .
- Stall protection.
- PWM&FG Signal feedback.
- Slipping protection .



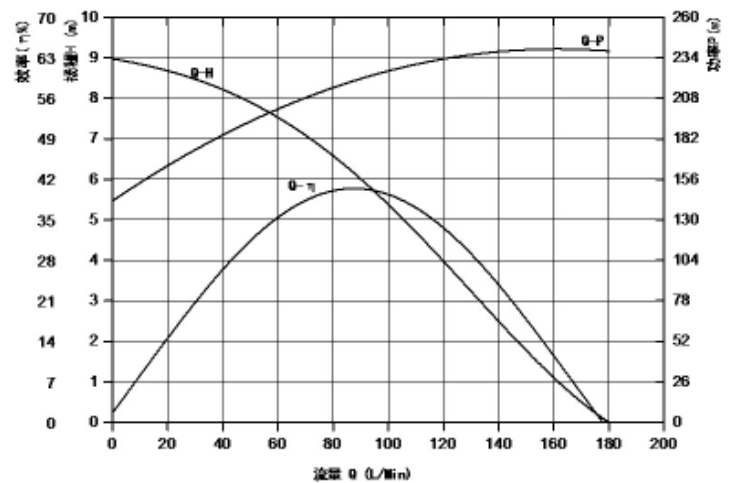
Specification

Specs

NO	Items	Specs
1	Weight	2.21kg
2	Dimension of inlet	38mm
3	Dimension of outlet	38mm
4	Pump material	Al alloy + PPS Can be customized
5	Condition of use	Continuously
6	Fluids	Water, antifreeze
7	Ambient temperature	-40~125°C
8	Max fluid temperature	-40~125°C
9	Power consumption	200W~240W
10	Rated voltage	24Vdc
11	Voltage used	12~30Vdc
12	Noise	<50dB
13	Water proof class	IP67
14	Life span	More than 20000hrs
15	Power supply	DC electric source; battery



Dimension



Head-Flow curve graph