

Automotive Electric Water Pump VP80E

Application

- Pure electric buses motor control system hot water circulation
- Hybrid buses motor control system hot water circulation
- Engine cooling water circulation.
- Intelligent toilet

Feature

- Reverse voltage protection .
- Working status monitoring .
- Stall protection.
- PWM&FG Signal feedback.
- Slipping protection .



Parameter

Parameter (only for reference, it can be customized)

Model	Voltage	Rated Current	Max flow	Max head	Power
	V	A	L/MIN	M	W
VP80E	13.5	6	50	10	81
	24	3.7	50	10	88
	24	3.7	50	12	88

Remarks The parameters above are for reference only, the one based on the customer's endorsement demands shall prevail!

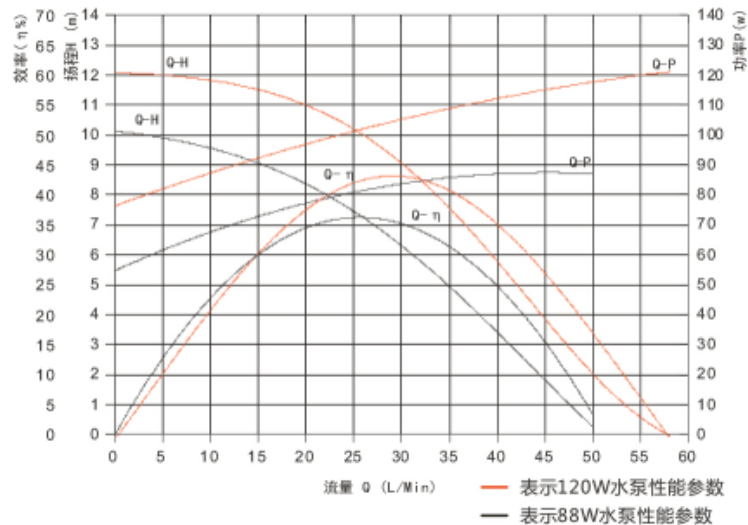
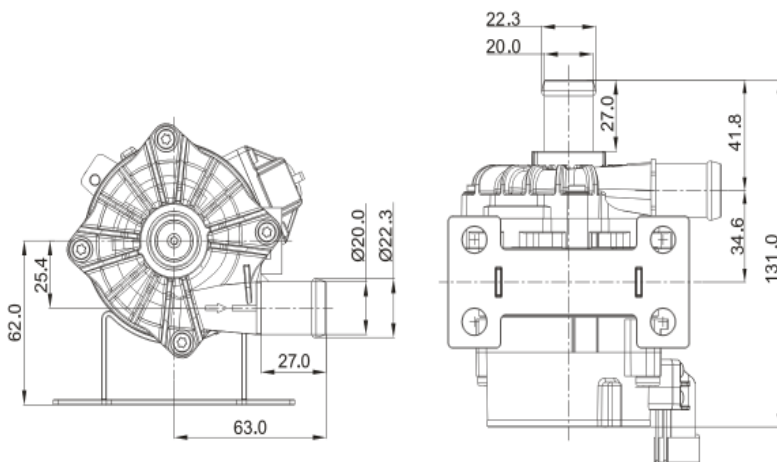
Notice

- Runs in the condition of the pump chamber without liquid is not allowed.
- Reversely connects the power polarity is not allowed.
- Filter measures should be taken when used in foul water environment.
- Runs in the acid and alkali environment is not allowed.
- Ambient temperature and fluid temperature should be within the rated temperature.
- Only DC power can be used.

Specification

Specs

NO	Items	Specs
1	Sizes	131*112*80mm Weight 0.97kg
2	Dimension of inlet	20mm
3	Dimension of outlet	20mm
4	Pump material	Al alloy + PPS Can be customized
5	Condition of use	Continuously
6	Fluids	Water, antifreeze
7	Ambient temperature	-40~125°C
8	Max fluid temperature	-40~125°C
9	Power consumption	81W~120W
10	Rated voltage	13.5Vdc,24Vdc,220VAc
11	Voltage used	8~20Vdc,12~32Vdc,198-244VAc
12	Noise	<48dB
13	Water proof class	IP67
14	Life span	More than 20000hrs
15	Power supply	DC electric source; battery



Dimension

Head-Flow curve graph