

Battery Operated Water Pump VP30

Application

- Medical equipment.
- Tabletop crafts.
- Small Fountain
- Aquarium
- Other circulation application

Feature

- Can endure 50°C high temperature.
- Ceramic sleeve and ceramic shaft ,Long life.
- Low noise.



Parameter

Parameter (only for reference, it can be customized)

Model	Voltage	Rated Current	Max flow	Max head	Power
	V	A	L/MIN	M	w
VP30	5	0.2	2.0	0.7	1.0
	9	0.2	2.7	1.2	1.8
	12	0.4	3.4	1.5	4.8
Remarks	The parameters above are for reference only, the one based on the customer's endorsement demands shall prevail!				

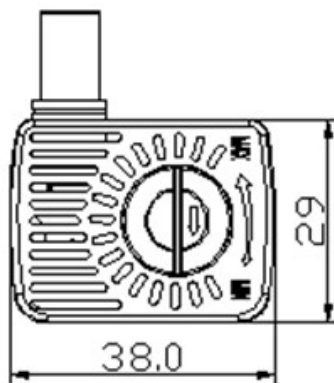
Notice

- Runs in the condition of the pump chamber without liquid is not allowed.
- Reversely connects the power polarity is not allowed.
- Filter measures should be taken when used in foul water environment.
- Runs in the acid and alkali environment is not allowed.
- Ambient temperature and fluid temperature should be within the rated temperature.
- Only DC power can be used.

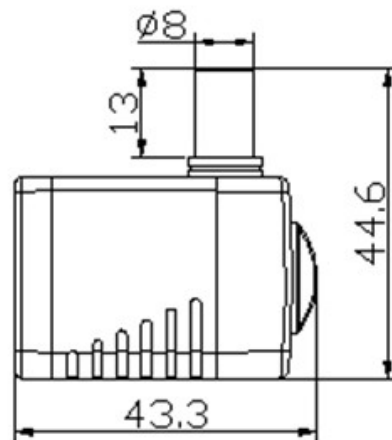
Specification

Specs

NO	Items	Specs
1	Sizes	43.3x38x44.6;
2	Dimension of inlet	8mm
3	Dimension of outlet	8mm
4	Pump material	ABS
5	Condition of use	Continuously
6	Fluids	Water [Provide acid and alkali solution]
7	Ambient temperature	-25~50°C
8	Max fluid temperature	50 °C
9	Power consumption	1W~4.8W
10	Rated voltage	5V/12V dc
11	Voltage used	4 ~ 9Vdc, 8 ~ 14Vdc
12	Noise	<30dB
13	Water proof class	IP68(Submersible installed optional)
14	Life span	More than 30000hrs
15	Power supply	Solar panel; DC electric source; battery



Dimension



Head-Flow curve graph