

# Battery Powered Water Pump VP30A

## Application

- Medical equipment.
- Tabletop crafts.
- Plumbing mattress .
- CPU cooling.
- Aquarium and fountain.

## Feature

- Can endure 100°C high temperature.
- Ceramic sleeve and ceramic shaft ,Long life.
- Low noise.
- PWM/0~5V speed control function [optional].
- Meet FDA standards.



## Parameter

Parameter (only for reference, it can be customized)

Model	Voltage V	Rated Current A	Max flow L/MIN	Max head M	Power w
VP30A	6	0.5	2.5	1.5	3.0
	12	0.36	4.0	3.0	4.32
	12	0.36	4.0	3.0	4.32

Remarks The parameters above are for reference only, the one based on the customer's endorsement demands shall prevail!

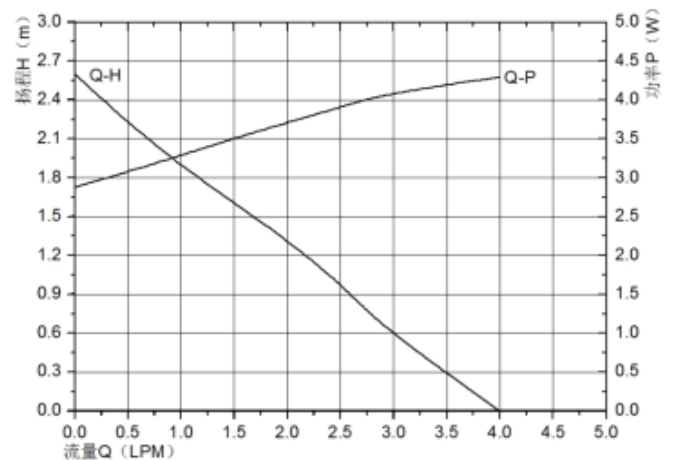
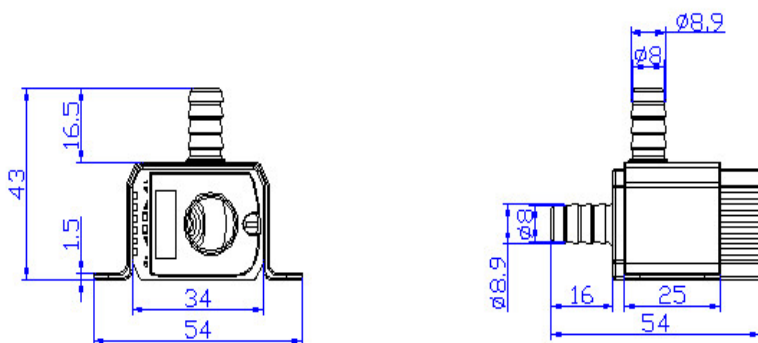
## Notice

- Runs in the condition of the pump chamber without liquid is not allowed.
- Reversely connects the power polarity is not allowed.
- Filter measures should be taken when used in foul water environment.
- Runs in the acid and alkali environment is not allowed.
- Ambient temperature and fluid temperature should be within the rated temperature.
- Only DC power can be used.

## Specification

### Specs

NO	Items	Specs
1	Sizes	53.5x40x34; weight70g
2	Dimension of inlet	8.9mm
3	Dimension of outlet	8.9mm
4	Pump material	ABS
5	Condition of use	Continuously
6	Fluids	Water [Provide acid and alkali solution]
7	Ambient temperature	-25~50°C
8	Max fluid temperature	50°C
9	Power consumption	3W~4.32W
10	Rated voltage	6V/12V dc
11	Voltage used	4 ~ 9Vdc, 8 ~ 20Vdc
12	Noise	<30dB
13	Water proof class	IP68(Submersible installed optional)
14	Life span	More than 30000hrs
15	Power supply	Solar panel; DC electric source; battery



## Dimension

## Head-Flow curve graph