

Car Electric Water Pump VP62E

Application

- Car's warm air conditioner cycle water cooling
- New energy automotive hot water cooling
- Engine cooling water circulation.
- Other water circulation equipment

Feature

- Reverse voltage protection .
- Locked-rotor protection.
- Stall protection.
- PWM & FG Signal feedback
- Slipping protection .



Parameter

Parameter (only for reference, it can be customized)

Model	Voltage	Rated Current	Max flow	Max head	Power
	V	A	L/MIN	M	W
VP62E	12	3.1	32	7	37
	12	3.1	32	7	37
	12	4.6	35	9	55

Remarks The parameters above are for reference only, the one based on the customer's endorsement demands shall prevail!

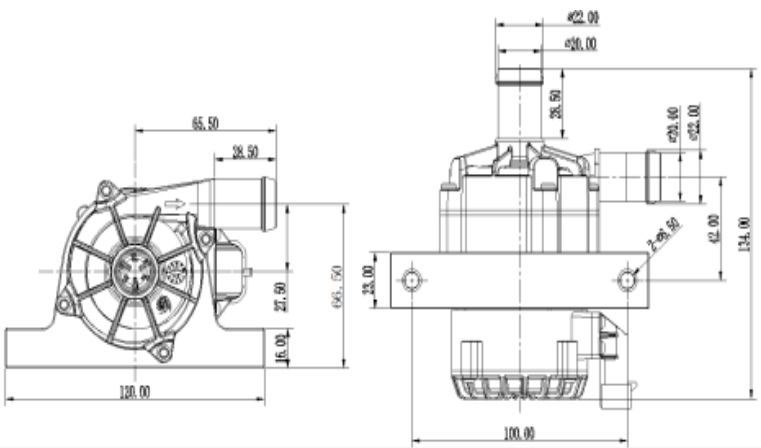
Notice

- Runs in the condition of the pump chamber without liquid is not allowed.
- Reversely connects the power polarity is not allowed.
- Filter measures should be taken when used in foul water environment.
- Runs in the acid and alkali environment is not allowed.
- Ambient temperature and fluid temperature should be within the rated temperature.
- Only DC power can be used.

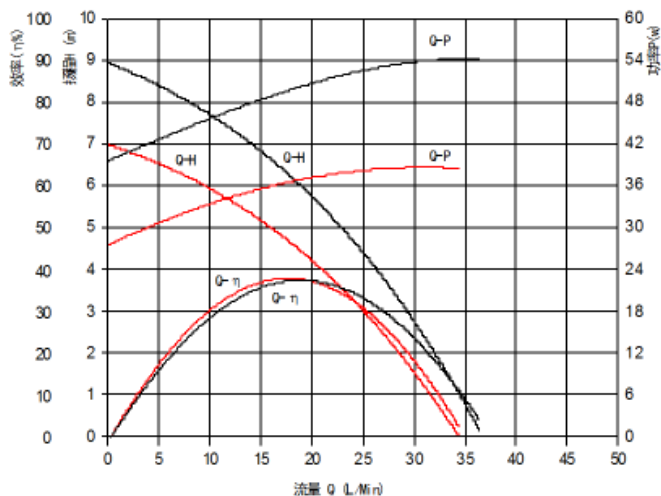
Specification

Specs

NO	Items	Specs
1	Sizes	134*120*80mm Weight 0.68kg
2	Dimension of inlet	20mm
3	Dimension of outlet	20mm
4	Pump material	PPS, Can be customized
5	Condition of use	Continuously
6	Fluids	Water, antifreeze
7	Ambient temperature	-40~125°C
8	Max fluid temperature	-40~125°C
9	Power consumption	37~55W
10	Rated voltage	12Vdc
11	Voltage used	8~20Vdc
12	Noise	<35dB
13	Water proof class	IP67
14	Life span	More than 20000hrs
15	Power supply	DC electric source; battery



Dimension



Head-Flow curve graph