

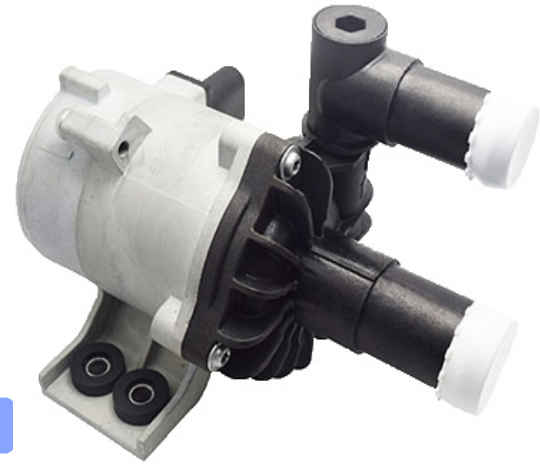
# 12V Car Electric Water Pump VP80C

## Application

- Car's warm air conditioner cycle water cooling
- New energy automotive hot water cooling
- New energy thermal management system
- Battery cooling and auxiliary heating cycle
- Intelligent toilet

## Feature

- Reverse voltage protection .
- Working status monitoring .
- Stall protection.
- PWM & FG Signal feedback
- Slipping protection .



## Parameter

Parameter (only for reference, it can be customized)

Model	Voltage	Rated Current	Max flow	Max head	Power
	V	A	L/MIN	M	W
VP80C	13.5	6	46	9	81
	13.5	6	46	9	89
	24	3.7	46	9	89

Remarks: The parameters above are for reference only, the one based on the customer's endorsement demands shall prevail!

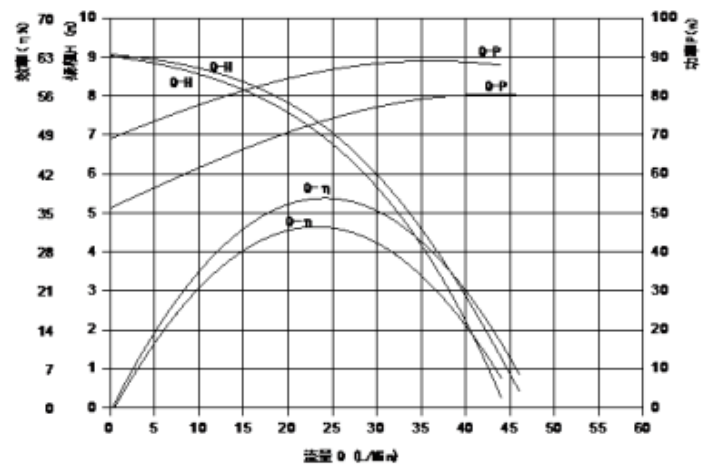
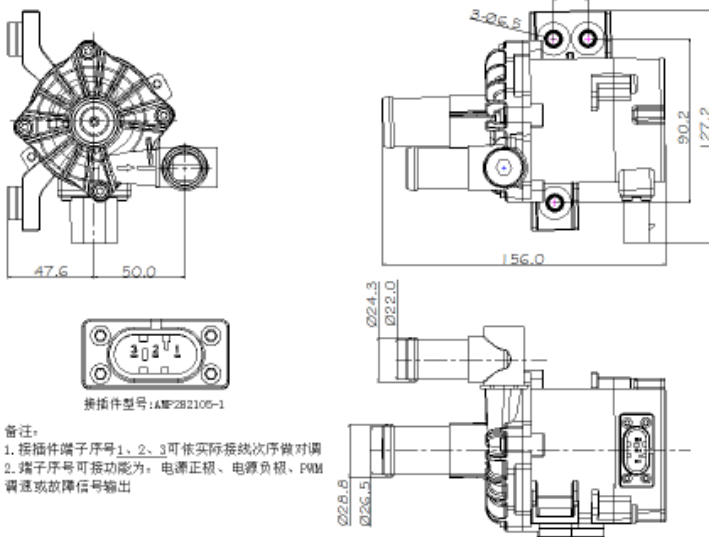
## Notice

- Runs in the condition of the pump chamber without liquid is not allowed.
- Reversely connects the power polarity is not allowed.
- Filter measures should be taken when used in foul water environment.
- Runs in the acid and alkali environment is not allowed.
- Ambient temperature and fluid temperature should be within the rated temperature.
- Only DC power can be used.

## Specification

### Specs

NO	Items	Specs
1	Weight	0.9kg
2	Dimension of inlet	26.5mm
3	Dimension of outlet	22mm
4	Pump material	Al alloy + PPS, Can be customized
5	Condition of use	Continuously
6	Fluids	Water, antifreeze
7	Ambient temperature	-40~125°C
8	Max fluid temperature	-40~125°C
9	Power consumption	72W~108W
10	Rated voltage	13.5Vdc, 24Vdc,
11	Voltage used	8~20Vdc, 12~32Vdc
12	Noise	<50dB
13	Water proof class	IP67
14	Life span	More than 20000hrs
15	Power supply	DC electric source; battery



## Dimension

## Head-Flow curve graph