

Coolant Water Circulation Pump VP50N

Application

- Pure electric buses motor control system hot water circulation
- Motorcycle cooling cycle system
- Vehicle turbo booster cooling circulation
- New energy vehicle cooling circulation

Feature

- Dry-running protection .
- Locked-rotor protection .
- FG signal output
- PWM/Manual speed control function [optional].
- Slipping protection .



Parameter

Parameter (only for reference, it can be customized)

Model	Voltage	Rated Current	Max flow	Max head	Power
	V	A	L/MIN	M	W
VP50N	12	1.4	25	3	17
	12	1.4	25	3	17
	24	0.7	25	3	17

Remarks: The parameters above are for reference only, the one based on the customer's endorsement demands shall prevail!

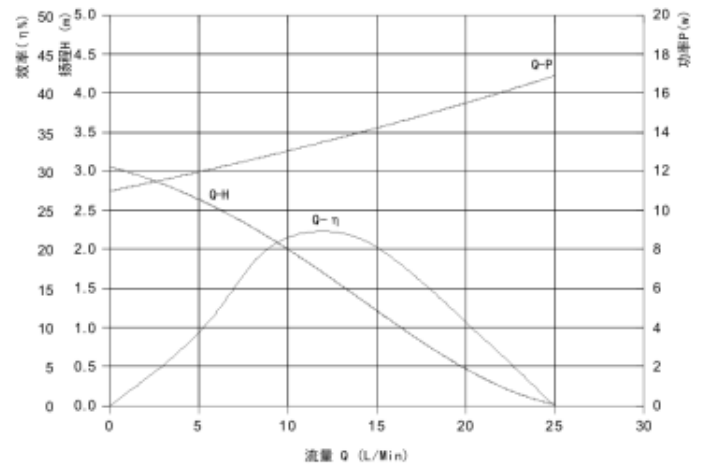
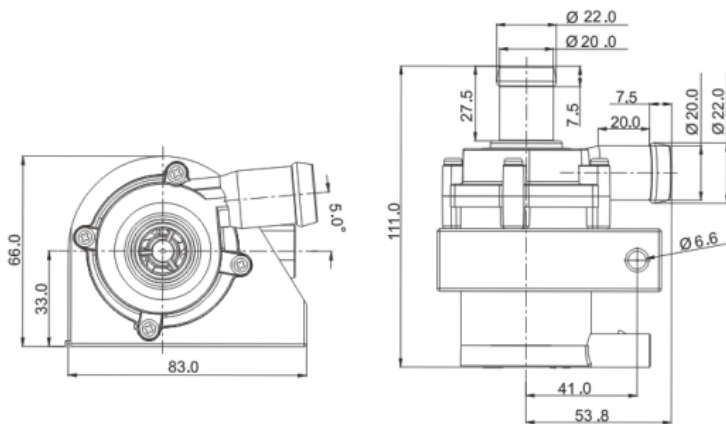
Notice

- Runs in the condition of the pump chamber without liquid is not allowed.
- Reversely connects the power polarity is not allowed.
- Filter measures should be taken when used in foul water environment.
- Runs in the acid and alkali environment is not allowed.
- Ambient temperature and fluid temperature should be within the rated temperature.
- Only DC power can be used.

Specification

Specs

NO	Items	Specs
1	Sizes	110.3*84.7*48mm, weight 0.36kg
2	Dimension of inlet	20mm
3	Dimension of outlet	20mm
4	Pump material	PPS, Can be customized
5	Condition of use	Continuously
6	Fluids	Water, antifreeze
7	Ambient temperature	-40~125°C
8	Max fluid temperature	-40~125°C
9	Power consumption	17W
10	Rated voltage	12Vdc, 24Vdc
11	Voltage used	6~20Vdc, 12~32Vdc
12	Noise	<40dB
13	Water proof class	IP65
14	Life span	More than 20000hrs
15	Power supply	DC electric source; battery



Dimension

Head-Flow curve graph