

# CPU Cooling Pump VP60D

## Application

- Plumbing mattress hot water circulation.
- CPU cooling etc.
- LED cooling etc.
- Other cyclic refrigeration equipment.

## Feature

- Can endure 70°C high temperature.
- Ceramic sleeve and ceramic shaft ,Long life.
- Over temperature protection ,26dB low noise.
- PWM/0~5V speed control function [optional].



## Parameter

Parameter (only for reference, it can be customized)

Model	Voltage V	Rated Current A	Max flow L/MIN	Max head M	Power w
VP60D	12	0.55	6	2.7	7
	12	0.55	6	2.7	7
	12	0.55	6	2.7	7
Remarks	The parameters above are for reference only, the one based on the customer's endorsement demands shall prevail!				

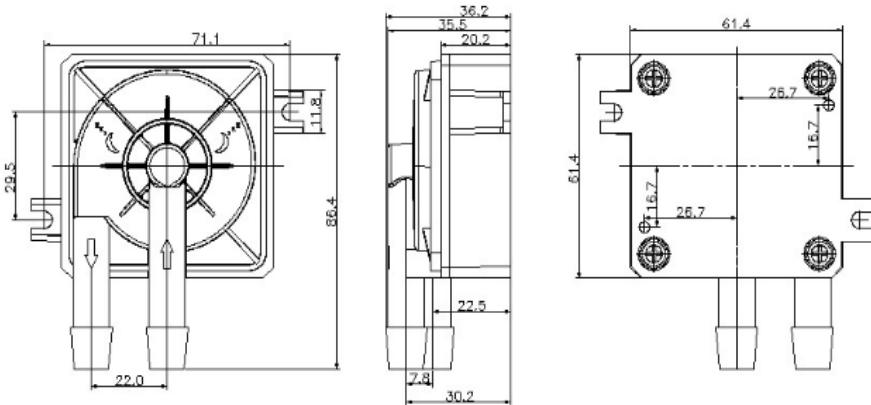
## Notice

- Runs in the condition of the pump chamber without liquid is not allowed.
- Reversely connects the power polarity is not allowed.
- Filter measures should be taken when used in foul water environment.
- Runs in the acid and alkali environment is not allowed.
- Ambient temperature and fluid temperature should be within the rated temperature.
- Only DC power can be used.

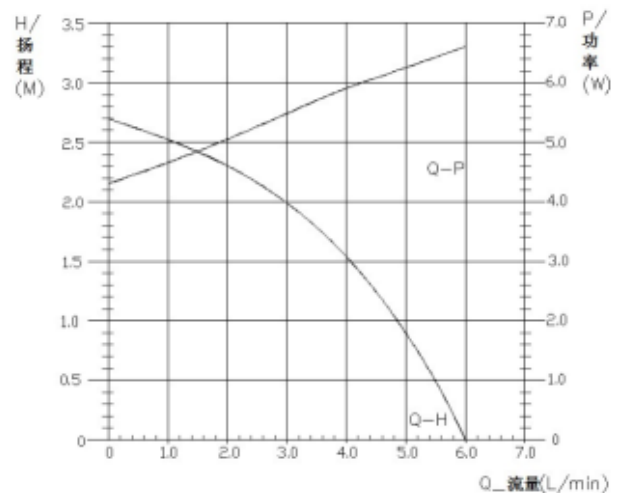
## Specification

### Specs

NO	Items	Specs
1	Sizes	86.4x71.1x36.2; weight 0.15kg
2	Dimension of inlet	11mm
3	Dimension of outlet	11mm
4	Pump material	PPE
5	Condition of use	Continuously
6	Fluids	Water [Provide acid and alkali solution]
7	Ambient temperature	-25~70°C
8	Max fluid temperature	70 °C
9	Power consumption	7W
10	Rated voltage	12V dc
11	Voltage used	8 ~ 20Vdc
12	Noise	<25dB
13	Water proof class	IP55
14	Life span	More than 20000hrs
15	Power supply	Solar panel; DC electric source; battery



Dimension



Head-Flow curve graph