

# Dishwasher Water Pump VP60K

## Application

- Dishwasher
- Beauty equipment
- medical equipment
- LED cooling
- semiconductor refrigeration
- Other requires pressurized and circulating refrigeration equipment

## Feature

- Can endure 100°C high temperature.
- Ceramic sleeve ceramic shaft Long life Low noise. rotation clogging protection .
- Dry-running protection
- Lack water protect function.
- PWM/0~5V speed control function [optional].



## Parameter

Parameter (only for reference, it can be customized)

Model	Voltage V	Rated Current A	Max flow L/MIN	Max head M	Power W
VP60K	12	2.6	40	5	31
	12	2.6	40	5	31
	24	2	50	7	48
	24	2	50	7	48

Remarks The parameters above are for reference only, the one based on the customer's endorsement demands shall prevail!

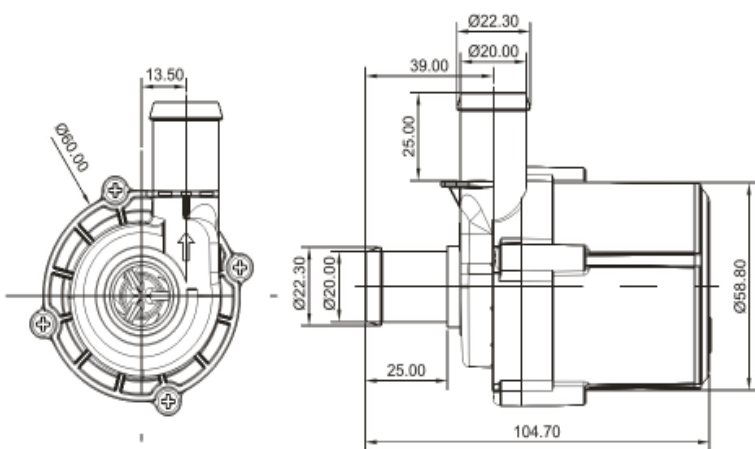
## Notice

- Runs in the condition of the pump chamber without liquid is not allowed.
- Reversely connects the power polarity is not allowed.
- Filter measures should be taken when used in foul water environment.
- Runs in the acid and alkali environment is not allowed.
- Ambient temperature and fluid temperature should be within the rated temperature.

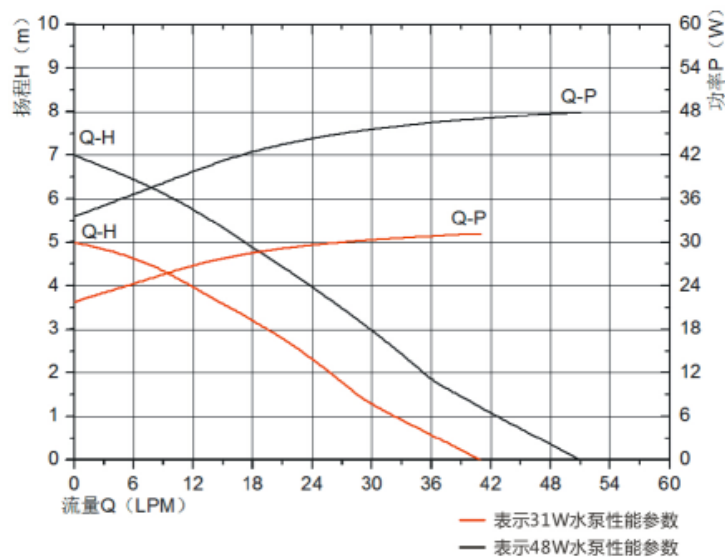
## Specification

### Specs

NO	Items	Specs
1	Sizes	104.7x58.8x85 weight 0.43kg
2	Dimension of inlet	20mm
3	Dimension of outlet	20mm
4	Pump material	PPE
5	Condition of use	Continuously
6	Fluids	Water, oil, antifreeze
7	Ambient temperature	-25~70°C
8	Max fluid temperature	0~100°C
9	Power consumption	31W~48W
10	Rated voltage	12V/24V
11	Voltage used	8Vdc ~18Vdc, 12Vdc ~ 30Vdc
12	Noise	<45dB
13	Water proof class	IP68
14	Life span	More than 20000hrs
15	Power supply	Solar panel; DC electric source; battery



Dimension



Head-Flow curve graph