

# Engine Cooling Water Pump VP62D

## Application

- Car's warm air conditioner cycle water cooling
- New energy automotive hot water cooling
- Engine cooling water circulation.
- Other water circulation equipment

## Feature

- Reverse voltage protection .
- Locked-rotor protection.
- Stall protection.
- PWM & FG Signal feedback
- Slipping protection .



## Parameter

Parameter (only for reference, it can be customized)

Model	Voltage V	Rated Current A	Max flow L/MIN	Max head M	Power W
VP62D	12	4.3	32	10	52
	12	4.3	32	10	52
	12	4.3	32	10	52

Remarks: The parameters above are for reference only, the one based on the customer's endorsement demands shall prevail!

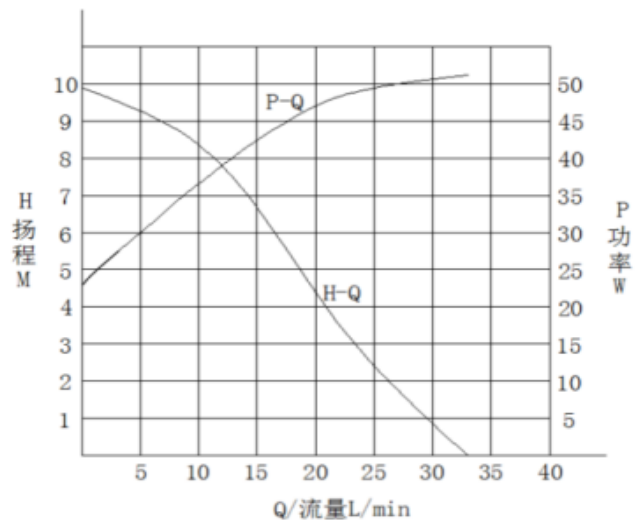
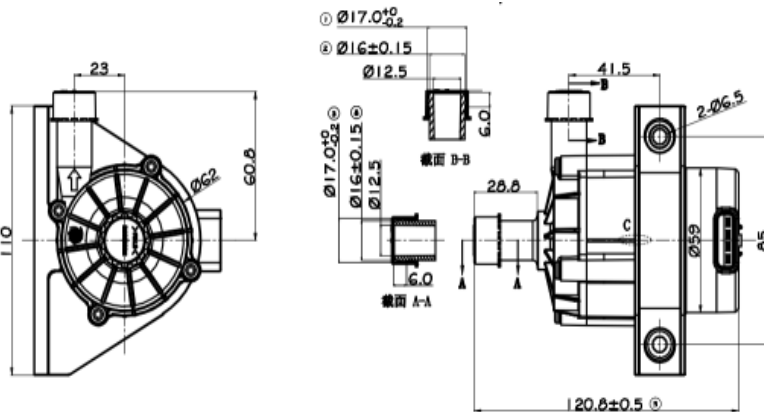
## Notice

- Runs in the condition of the pump chamber without liquid is not allowed.
- Reversely connects the power polarity is not allowed.
- Filter measures should be taken when used in foul water environment.
- Runs in the acid and alkali environment is not allowed.
- Ambient temperature and fluid temperature should be within the rated temperature.
- Only DC power can be used.

## Specification

### Specs

NO	Items	Specs
1	Sizes	121*115.8*74mm Weight 0.62kg
2	Dimension of inlet	12.5mm
3	Dimension of outlet	12.5mm
4	Pump material	PPS, Can be customized
5	Condition of use	Continuously
6	Fluids	Water, antifreeze
7	Ambient temperature	-40~125°C
8	Max fluid temperature	-40~125°C
9	Power consumption	52W
10	Rated voltage	12Vdc
11	Voltage used	8~20Vdc
12	Noise	<40dB
13	Water proof class	IP67
14	Life span	More than 20000hrs
15	Power supply	DC electric source; battery



Dimension

Head-Flow curve graph