

VP25A Series Mini Hot Water Pump

Application

- Water Dispenser .
- Coffe maker.
- Personal care products.
- Juice machines.
- Aquarium and fountain.

Feature

- Can endure 100°C high temperature.
- Ceramic sleeve and ceramic shaft ,Long life.
- Low noise.
- Lack water protect function.
- All wetted materials is food grade.



Parameter

Parameter (only for reference, it can be customized)

Model	Voltage V	Rated Current A	Max flow L/MIN	Max head M	Power w
VP25A	3	0.07	0.9	1	0.21
	6	0.15	1.3	1	0.9
	12	0.32	2.0	2.0	3.8

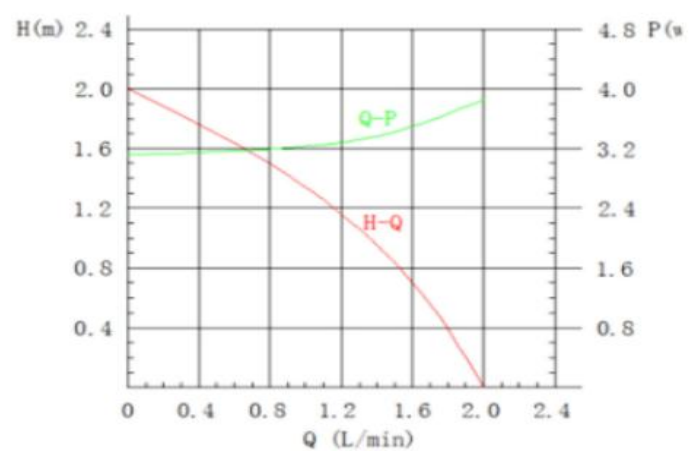
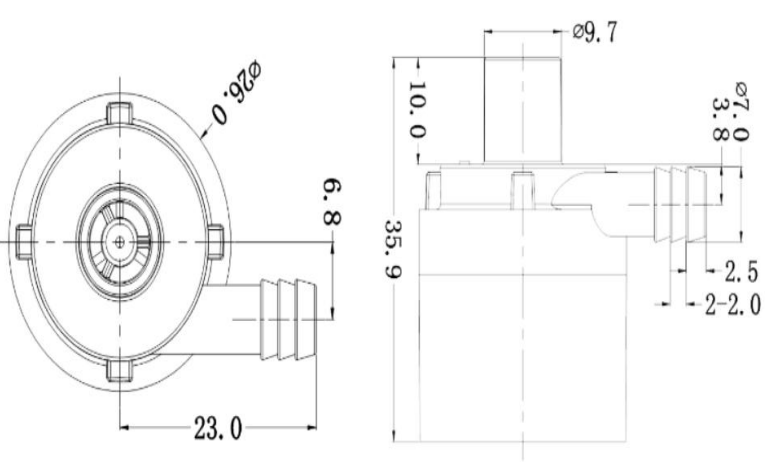
Remarks: The parameters above are for reference only, the one based on the customer's endorsement demands shall prevail!

Specification

NO	Items	Specs
1	Sizes	35.9x26x36; weight 20g
2	Dimension of inlet	9.7mm
3	Dimension of outlet	7.0mm
4	Pump material	PPE
5	Condition of use	Continuously
6	Fluids	Water [Provide acid and alkali solution]
7	Ambient temperature	-25~70°C
8	Max fluid temperature	100 °C
9	Power consumption	0.21W~3.8W
10	Rated voltage	3V/6V/12V dc
11	Voltage used	3 ~ 6Vdc,6~ 12Vdc
12	Noise	<30dB
13	Water proof class	IP68(Submersible installed optional)
14	Life span	More than 20000hrs
15	Power supply	Solar panel; DC electric source; battery

Notice

- Runs in the condition of the pump chamber without liquid is not allowed.
- Reversely connects the power polarity is not allowed.
- Filter measures should be taken when used in foul water environment.
- Runs in the acid and alkali environment is not allowed.
- Ambient temperature and fluid temperature should be within the rated temperature.
- Only DC power can be used.



12V

Dimension

Head-Flow curve graph