

Hot Water Recirculating Pump VP40C

Application

- Circulating systems for homes.
- Air conditioning drainage.
- Solar water heater circulation and booster.
- Hot water circulation.
- Wall-mounted solar water heater.
- Other machine hot water circulation etc.

Feature

- small size with high efficiency, maintenance-free
- Brush-less dc control without pollution, long life span
- OEM and ODM service accept.
- Offer Pump related control system design.



Parameter

Parameter (only for reference, it can be customized)

Model	Voltage	Rated Current	Max flow	Max head	Power
	V	A	L/MIN	M	w
VP40C	12	1.2	12	4	14.4
	12	1.2	12	4	14.4
	24	1.2	15	6	28.8

Remarks: The parameters above are for reference only, the one based on the customer's endorsement demands shall prevail!

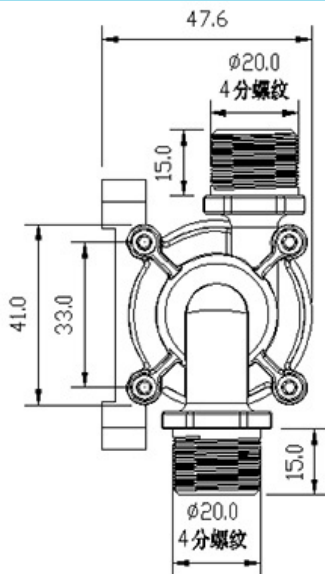
Notice

- Runs in the condition of the pump chamber without liquid is not allowed.
- Reversely connects the power polarity is not allowed.
- Filter measures should be taken when used in foul water environment.
- Runs in the acid and alkali environment is not allowed.
- Ambient temperature and fluid temperature should be within the rated temperature.
- Only DC power can be used.

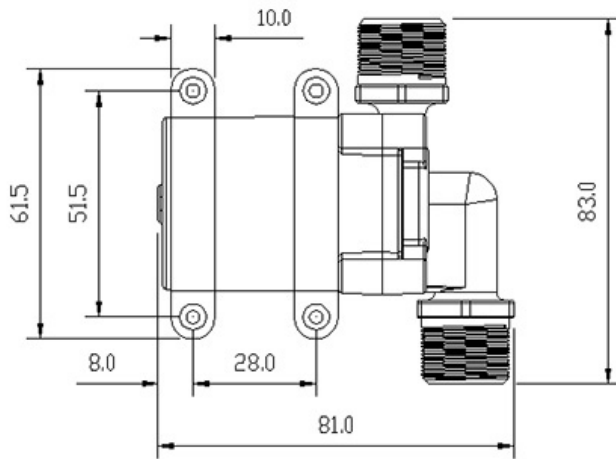
Specification

Specs

NO	Items	Specs
1	Sizes	85.5mm*81.5mm*43.8mm weight 235g
2	Dimension of inlet	M20mm
3	Dimension of outlet	M20mm
4	Pump material	PA66+30%GF
5	Condition of use	Continuously
6	Fluids	Water, oil [Provide acid and alkali solution]
7	Ambient temperature	-10~60°C
8	Max fluid temperature	60 °C
9	Power consumption	2.5W~28.8W
10	Rated voltage	12V/24Vdc
11	Voltage used	5 ~ 14Vdc, 5~ 26Vdc
12	Noise	<40dB
13	Water proof class	IP68(Submersible installed optional)
14	Life span	More than 30000hrs
15	Power supply	Solar panel; DC electric source; battery



Dimension



Head-Flow curve graph