

# Mini Water Pump VP40H

## Application

- Communication base station.
- Air conditioning drainage.
- LED lights cooling.
- Laser cutting machine, Marking Machine, Engraving machine.
- Semiconductor, machine, medical water circulation cooling, etc.

## Feature

- Lack water protect function.
- Ceramic sleeve and ceramic shaft, long life.
- Stall protection, over current protection.
- PWM/0~5V speed control function [optional].



## Parameter

Parameter (only for reference, it can be customized)

Model	Voltage V	Rated Current A	Max flow L/MIN	Max head M	Power W
VP40H	12	1.5	10	8	17
	24	1.3	12	13	31.2
	24	1.3	12	13	31.2

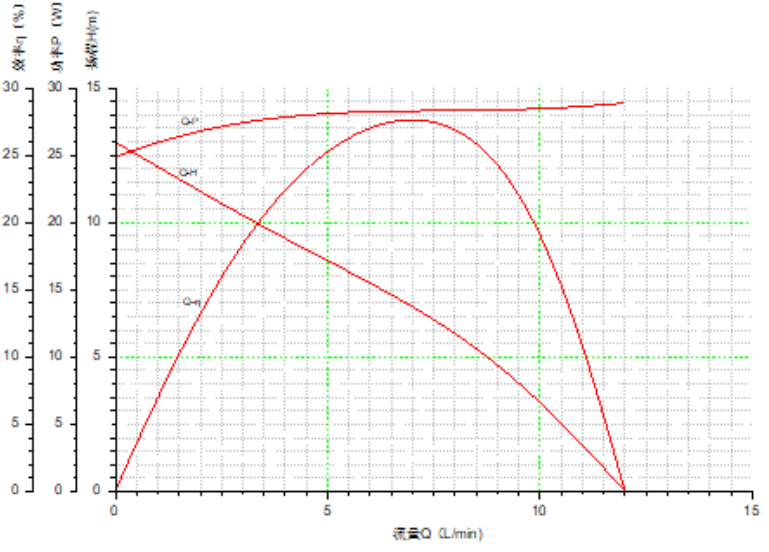
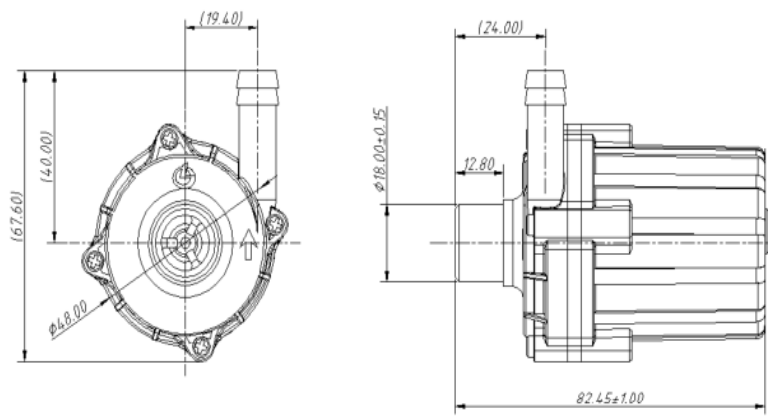
Remarks: The parameters above are for reference only, the one based on the customer's endorsement demands shall prevail!

## Specification

NO	Items	Specs
1	Sizes	82.45x48.0x67.6 ; wight 240g
2	Dimension of inlet	18mm
3	Dimension of outlet	9.8mm
4	Pump material	PPA
5	Condition of use	Continuously
6	Fluids	Water, antifreeze [Provide acid alkali solution]
7	Ambient temperature	-25~70°C
8	Max fluid temperature	70°C
9	Power consumption	17W~31.2W
10	Rated voltage	12V/24Vdc
11	Voltage used	8V~ 20Vdc ,10V ~ 30Vdc
12	Noise	<40dB
13	Water proof class	IP68(Submersible installed optional)
14	Life span	More than 20000hrs
15	Power supply	Solar panel; DC electric source; battery

## Notice

- Runs in the condition of the pump chamber without liquid is not allowed.
- Reversely connects the power polarity is not allowed.
- Filter measures should be taken when used in foul water environment.
- Runs in the acid and alkali environment is not allowed.
- Ambient temperature and fluid temperature should be within the rated temperature.
- Only DC power can be used.



Dimension

Head-Flow curve graph