

# Laser Machine Cooling Pump VP60A

## Application

- Laser cooling machine .
- CW3000 Chiller,
- LED cooling.
- Laser cutting machine, Marking Machine, Engraving machine.
- Semiconductor , machine , medical water circulation ,etc.

## Feature

- FG signal .
- Ceramic sleeve and ceramic shaft, long life.
- Stall protection, Slipping protection .
- PWM/Manual speed control function [optional].
- EMC compatibility test passed, no harassment signal .



## Parameter

Parameter (only for reference, it can be customized)

Model	Voltage V	Rated Current A	Max flow L/MIN	Max head M	Power W
VP60A	12	3	17	8	36
	24	2.2	20	11	53
	48	1.3	21	12	62

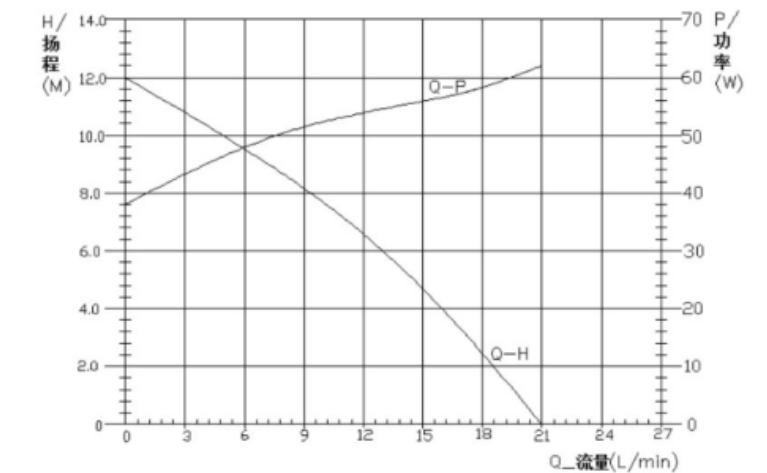
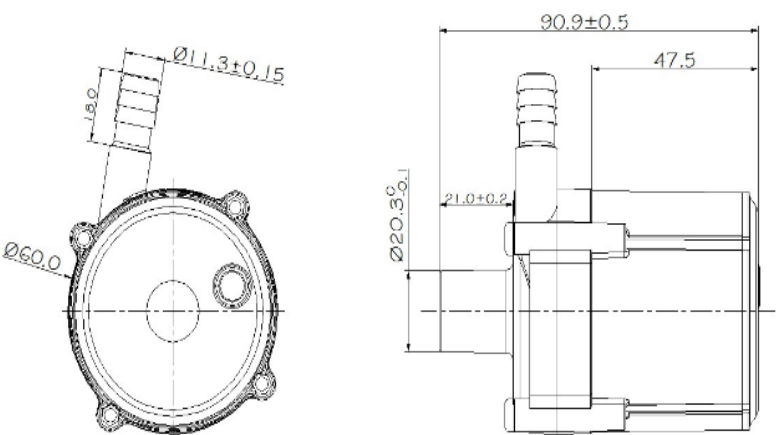
Remarks: The parameters above are for reference only, the one based on the customer's endorsement demands shall prevail!

## Specification

NO	Items	Specs
1	Sizes	90.9x60x85 Weight 380g
2	Dimension of inlet	20mm
3	Dimension of outlet	11mm
4	Pump material	Can be customized
5	Condition of use	Continuously
6	Fluids	Water, oil [Provide acid and alkali solution]
7	Ambient temperature	-20~70°C
8	Max fluid temperature	100°C
9	Power consumption	36W~62W
10	Rated voltage	12V/24V/48Vdc
11	Voltage used	8~ 12Vdc ,12 ~ 30Vdc,36 ~ 55Vdc
12	Noise	<45dB
13	Water proof class	IP68
14	Life span	More than 20000hrs
15	Power supply	Solar panel; DC electric source; battery

## Notice

- Runs in the condition of the pump chamber without liquid is not allowed.
- Reversely connects the power polarity is not allowed.
- Filter measures should be taken when used in foul water environment.
- Runs in the acid and alkali environment is not allowed.
- Ambient temperature and fluid temperature should be within the rated temperature.
- Only DC power can be used.



## Dimension

## Head-Flow curve graph