

Quiet Water Pump VP60C

Application

- Plumbing mattress hot water circulation.
- Floor heating system
- Circulating systems for homes.
- Bathing machine.
- Boiler .
- CPU cooling etc.

Feature

- Can endure 70°C high temperature.
- Over temperature protection ,23dB low noise
- Stall protection , Slipping protection .
- PWM speed control function.
- EMC compatibility test passed,no harassment signal .



Parameter

Parameter (only for reference, it can be customized)

Model	Voltage	Rated Current	Max flow	Max head	Power
	V	A	L/MIN	M	W
VP60C	12	0.45	8	2.2	5
	12	0.45	8	2.2	5
	12	0.33	7	1.5	4
	12	0.33	7	1.5	4

Remarks: The parameters above are for reference only, the one based on the customer's endorsement demands shall prevail!

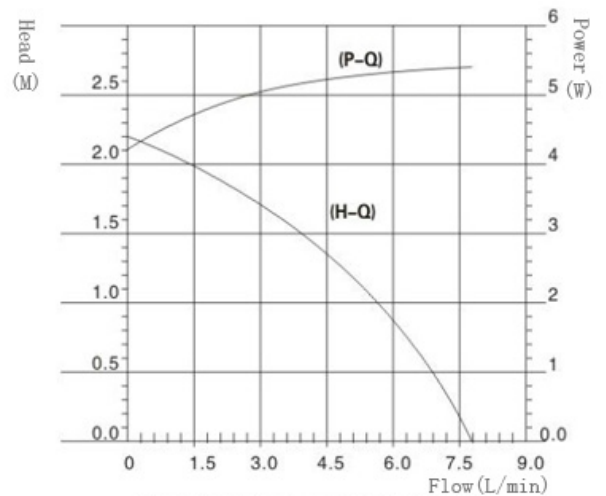
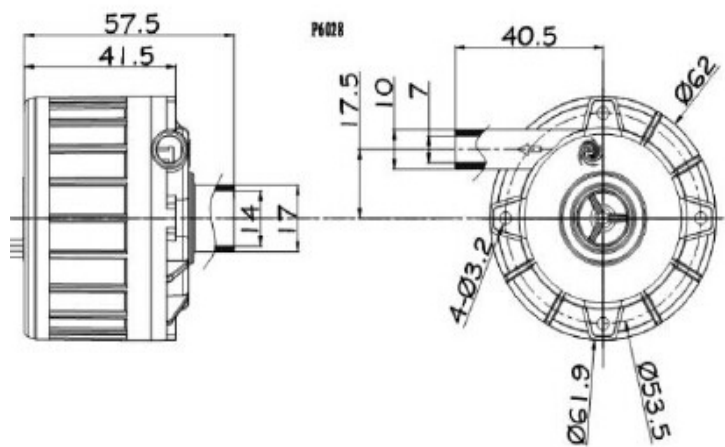
Notice

- Runs in the condition of the pump chamber without liquid is not allowed.
- Reversely connects the power polarity is not allowed.
- Filter measures should be taken when used in foul water environment.
- Runs in the acid and alkali environment is not allowed.
- Ambient temperature and fluid temperature should be within the rated temperature.

Specification

Specs

NO	Items	Specs
1	Sizes	41.5x62x71.5 Weight 0.16kg
2	Dimension of inlet	17mm
3	Dimension of outlet	10mm
4	Pump material	XYRON, PPE
5	Condition of use	Continuously
6	Fluids	Water, oil, antifreeze
7	Ambient temperature	-25~50°C
8	Max fluid temperature	70°C
9	Power consumption	4W~5W
10	Rated voltage	12Vdc
11	Voltage used	8Vdc ~ 20Vdc
12	Noise	<23dB
13	Water proof class	IP32
14	Life span	More than 20000hrs
15	Power supply	Solar panel; DC electric source; battery



Dimension

Head-Flow curve graph