

Small DC Water Pump VP40

Application

- Communication base station.
- Air conditioning drainage.
- LED lights cooling.
- Laser cutting machine, Marking Machine, Engraving machine.
- Semiconductor, machine, medical water circulation cooling, etc.

Feature

- small size with high efficiency, maintenance-free
- Brush-less dc control without pollution, long life span
- OEM and ODM service accept.
- Offer Pump related control system design.



Parameter

Parameter (only for reference, it can be customized)

Model	Voltage	Rated Current	Max flow	Max head	Power
	V	A	L/MIN	M	w
VP40	12	1.2	7.5	5	14.4
	12	1.2	7.5	5	14.4
	24	1.2	10	7	28.8

Remarks: The parameters above are for reference only, the one based on the customer's endorsement demands shall prevail!

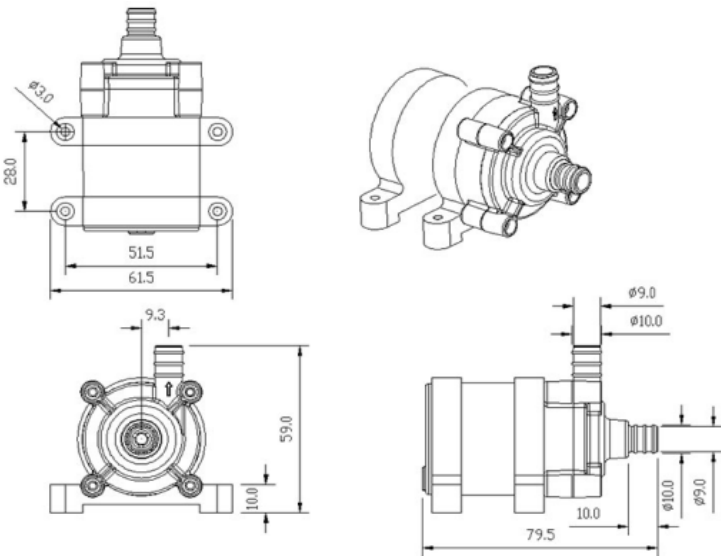
Notice

- Runs in the condition of the pump chamber without liquid is not allowed.
- Reversely connects the power polarity is not allowed.
- Filter measures should be taken when used in foul water environment.
- Runs in the acid and alkali environment is not allowed.
- Ambient temperature and fluid temperature should be within the rated temperature.
- Only DC power can be used.

Specification

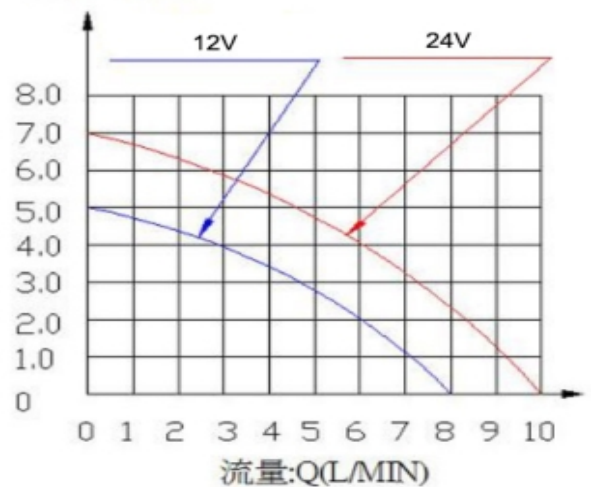
Specs

NO	Items	Specs
1	Sizes	90x46.4x47.2 weight 270g
2	Dimension of inlet	14mm
3	Dimension of outlet	10mm
4	Pump material	PA66+30%GF
5	Condition of use	Continuously
6	Fluids	Water, oil [Provide acid and alkali solution]
7	Ambient temperature	-10~60°C
8	Max fluid temperature	50 °C
9	Power consumption	14.4W~28.8W
10	Rated voltage	12V/24Vdc
11	Voltage used	5 ~ 14Vdc, 5~ 26Vdc
12	Noise	<40dB
13	Water proof class	IP68(Submersible installed optional)
14	Life span	More than 30000hrs
15	Power supply	Solar panel; DC electric source; battery



Dimension

扬程：H(M)



Head-Flow curve graph