

Solar Water Heater Pump VP40N

Application

- Water or oil or hot water circulation.
- Solar water heaters
- Circulating systems for homes.
- Separate electric water heater .
- Communication base station cooling.
- hot-water machinery etc.

Feature

- Can endure 100°C high temperature.
- Over temperature, protection.
- Stall protection, Slipping protection .
- PWM speed control function [optional].
- Inlet and outlet with the same direction, closed impeller,high pressure.



Parameter

Parameter (only for reference, it can be customized)

Model	Voltage	Rated Current	Max flow	Max head	Power
	V	A	L/MIN	M	W
VP40N	12	0.4	5.5	1.9	5
	12	0.4	5.5	1.9	5
	24	1.2	10	8	29
	24	1.2	10	8	29

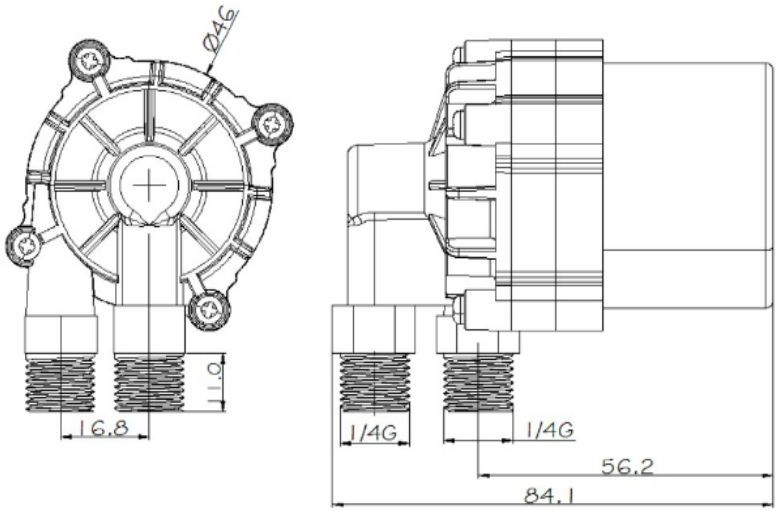
Remarks: The parameters above are for reference only, the one based on the customer's endorsement demands shall prevail!

Notice

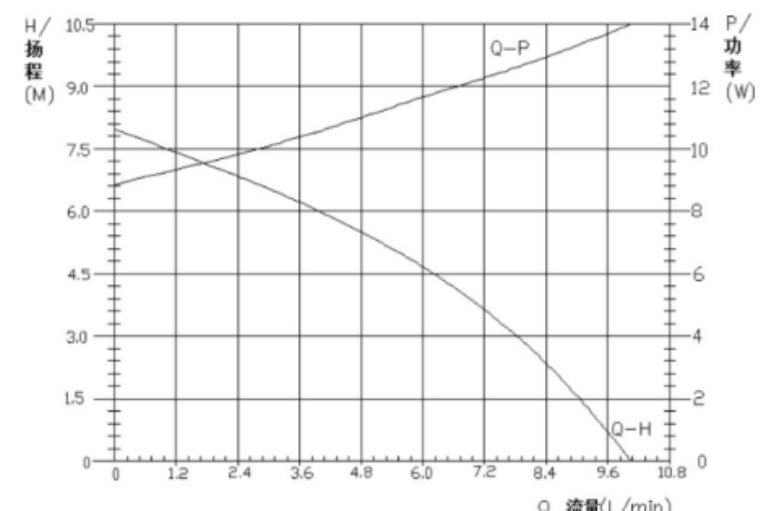
- Runs in the condition of the pump chamber without liquid is not allowed.
- Reversely connects the power polarity is not allowed.
- Filter measures should be taken when used in foul water environment.
- Runs in the acid and alkali environment is not allowed.
- Ambient temperature and fluid temperature should be within the rated temperature.

Specification

NO	Items	Specs
1	Sizes	84.1x46x66 weight 220g
2	Dimension of inlet	Thread nozzles: G1/4
3	Dimension of outlet	Thread nozzles: G1/4
4	Pump material	PPE
5	Condition of use	Continuously
6	Fluids	Water, anti-freeze fluid.
7	Ambient temperature	-0~70°C
8	Max fluid temperature	100°C
9	Power consumption	13W~30W
10	Rated voltage	12V/24Vdc
11	Voltage used	8Vdc ~ 20Vdc ,12Vdc ~ 30Vdc
12	Noise	<45dB
13	Water proof class	IP55S
14	Life span	More than 25000hrs
15	Power supply	Solar panel; DC electric source; battery



Dimension



Head-Flow curve graph