

# Solar DC Water Pump VP50C

## Application

- Water or oil circulation.
- Solar water heat circulation
- Agricultural irrigation .
- Other Water boost equipment etc.

## Feature

- small size with high efficiency,maintenance-free
- Brush-less dc control without pollution, long life span
- OEM and ODM service accept.
- Offer Pump related control system design.



## Parameter

Parameter (only for reference, it can be customized)

Model	Voltage	Rated Current	Max flow	Max head	Power
	V	A	L/MIN	M	W
VP50C	12	3.5	25	7.5	42
	12	3.5	25	7.5	42
	24	3.54	35	10	85

Remarks: The parameters above are for reference only, the one based on the customer's endorsement demands shall prevail!

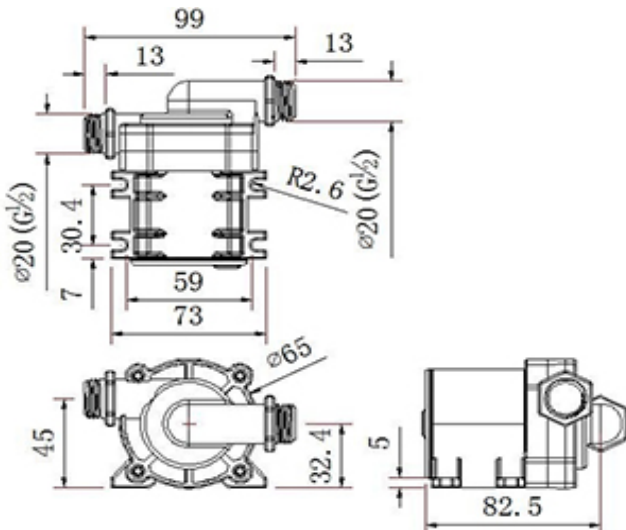
## Notice

- Runs in the condition of the pump chamber without liquid is not allowed.
- Reversely connects the power polarity is not allowed.
- Filter measures should be taken when used in foul water environment.
- Runs in the acid and alkali environment is not allowed.
- Ambient temperature and fluid temperature should be within the rated temperature.
- Only DC power can be used.

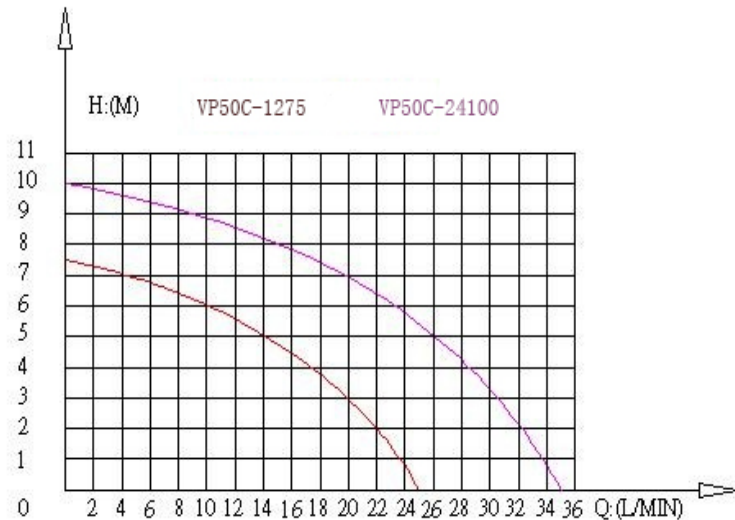
## Specification

Specs

NO	Items	Specs
1	Sizes	82.5mm*99mm*70mm; weight 650g
2	Dimension of inlet	20mm
3	Dimension of outlet	20mm
4	Pump material	PA66+30%GF
5	Condition of use	Continuously
6	Fluids	Water, oil [Provide acid and alkali solution]
7	Ambient temperature	-20~100°C
8	Max fluid temperature	100°C
9	Power consumption	42W~85W(can be customized within this range)
10	Rated voltage	12Vdc,24Vdc
11	Voltage used	6Vdc ~ 14Vdc,10Vdc ~ 24Vdc
12	Noise	<50dB
13	Water proof class	IP68(Submersible installed optional)
14	Life span	More than 30000hrs
15	Power supply	Solar panel; DC electric source; battery



Dimension



Head-Flow curve graph