

Solar Water Heater Pump VP40S

Application

- Solar water heater circulation.
- Domestic heat pump water heater.
- Pressure pipeline special pump.
- Pressure Tank circulation, water boost .
- Wall-mounted solar water heater.
- Other machine hot water circulation etc.

Feature

- Can endure 110°C high temperature,FG signal.
- Over temperature and over voltage protection.
- Can endure more than 1MPa pressure.
- Closed impeller,high pressure.
- PWM/0~5V Speed control function [optional].



Parameter

Parameter (only for reference, it can be customized)

Model	Voltage	Rated Current	Max flow	Max head	Power
	V	A	L/MIN	M	W
VP40S	12	0.5	8	3	6
	12	0.5	8	3	6
	24	1.3	13	8	31
	24	1.3	13	8	31

Remarks The parameters above are for reference only, the one based on the customer's endorsement demands shall prevail!

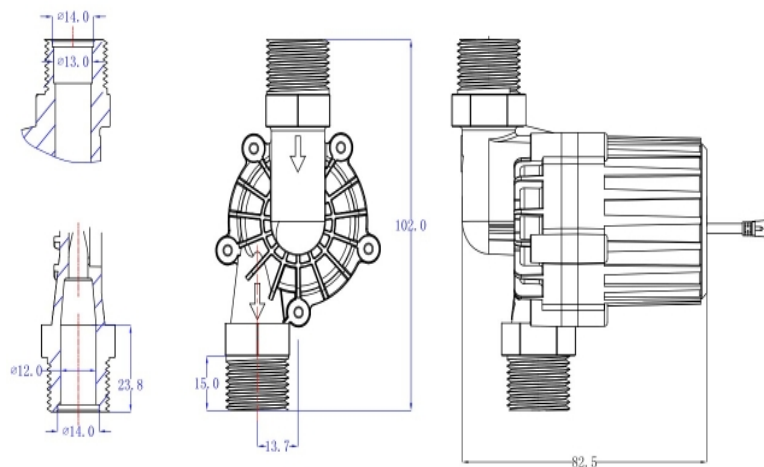
Notice

- Runs in the condition of the pump chamber without liquid is not allowed.
- Reversely connects the power polarity is not allowed.
- Filter measures should be taken when used in foul water environment.
- Runs in the acid and alkali environment is not allowed.
- Ambient temperature and fluid temperature should be within the rated temperature.

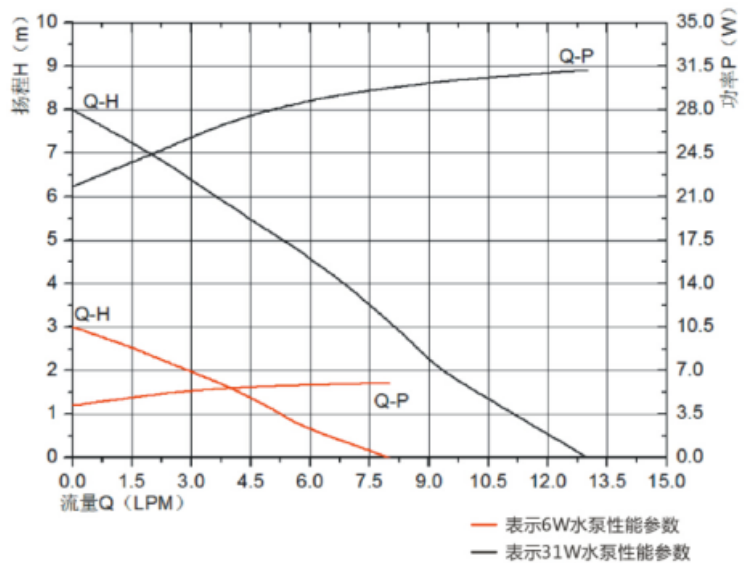
Specification

Specs

NO	Items	Specs
1	Sizes	82.3x102x46.4; weight 240g
2	Dimension of inlet	Thread nozzles: G1/2
3	Dimension of outlet	Thread nozzles: G1/2
4	Pump material	PPS
5	Condition of use	Continuously
6	Fluids	Water, anti-freeze fluid.
7	Ambient temperature	-25~70°C
8	Max fluid temperature	-20~110°C
9	Power consumption	6W~31W
10	Rated voltage	12V/24Vdc
11	Voltage used	8Vdc ~ 20Vdc , 12Vdc ~ 30Vdc
12	Noise	<40dB
13	Water proof class	IP32
14	Life span	More than 20000hrs
15	Power supply	Solar panel; DC electric source; battery



Dimension



Head-Flow curve graph