

# Laser Engraver Water Pump VP60F

## Application

- Medium and small Laser cooling machine .
- CNC machine,
- LED/Semiconductor cooling.
- Laser cutting machine, Marking Machine Engraving machine.
- Medical water circulation ,etc.

## Feature

- Brushless dc motor Long life.
- Stall protection, Slipping protection .
- PWM/Manual speed control function [optional].
- EMC compatibility test passed,no harassment signal .



## Parameter

Parameter (only for reference, it can be customized)

Model	Voltage	Rated Current	Max flow	Max head	Power
	V	A	L/MIN	M	W
VP60F	12	6	14	18	72
	12	6	14	18	72
	24	4.5	19	27	108

Remarks: The parameters above are for reference only, the one based on the customer's endorsement demands shall prevail!

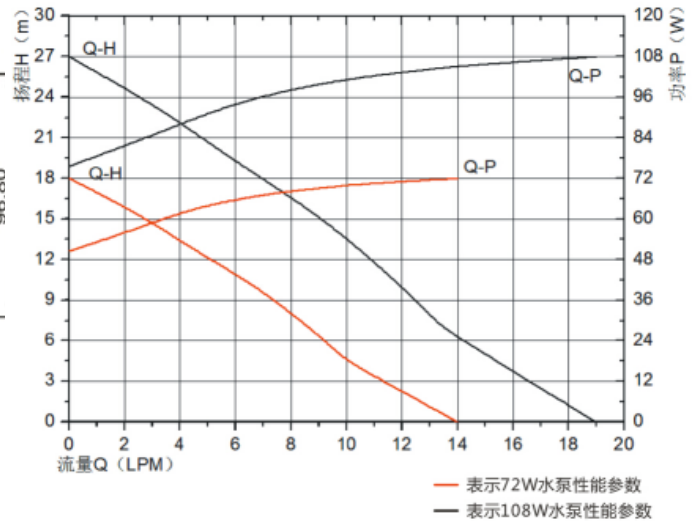
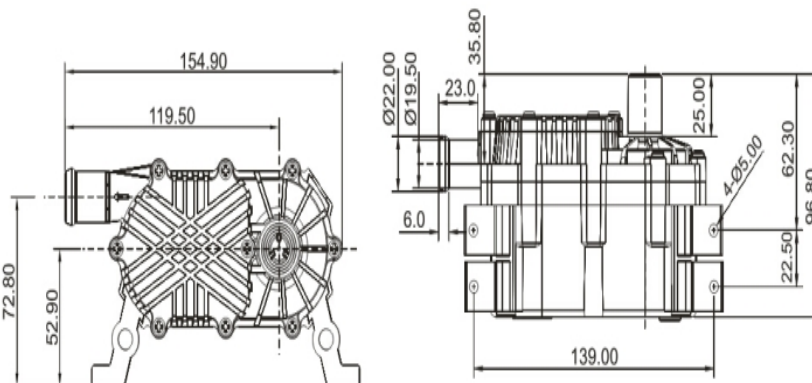
## Notice

- Runs in the condition of the pump chamber without liquid is not allowed.
- Reversely connects the power polarity is not allowed.
- Filter measures should be taken when used in foul water environment.
- Runs in the acid and alkali environment is not allowed.
- Ambient temperature and fluid temperature should be within the rated temperature.
- Only DC power can be used.

## Specification

### Specs

NO	Items	Specs
1	Sizes	156*97.6*75mm Weight 860g
2	Dimension of inlet	22mm
3	Dimension of outlet	19.5mm
4	Pump material	Can be customized
5	Condition of use	Continuously
6	Fluids	Water, anti-freeze fluid
7	Ambient temperature	-25~70°C
8	Max fluid temperature	100°C
9	Power consumption	72W~108W
10	Rated voltage	12V/24V dc
11	Voltage used	8~ 20Vdc ,12 ~ 30Vdc
12	Noise	<55dB
13	Water proof class	IP32
14	Life span	More than 15000hrs
15	Power supply	Solar panel; DC electric source; battery



## Dimension

## Head-Flow curve graph